



## Robot mount iSTM



**Specified internationally for the new ABB arc welding robot IRB 1600 ID.**

**iSTM** – the robot mount for the latest generation of welding robots with a central guided cable assembly through the 6th axis offers a high level of safety & flexibility for air- and liquid-cooled torches. In case of a collision of the welding torch with the work piece, the software of the robot will detect the collision.

**The secret:**

- System 100% tested and approved by ABB Robotics, Västerås
- Air- & liquid-cooled version for various applications (up to 450 A)
- Wide range of torches, consumables & wire feeder connections
- Solid, rugged and slim design – for ABB Collision Detection
- Highly torsion resistant cable assembly rotatable in the 6<sup>th</sup> axis over 480° (+/- 240°)
- Safety & optimal system performance due to high repeatability
- High flexibility and optimal work piece accessibility
- Reduction of maintenance costs due to an easy assembly and handling
- Highest reliability is offered through the comprehensive protection against dust and spatters
- Additional feature: Optional airblast and anti-spatter injection through the cable assembly



## iSTM System Overview



**ABIROB® A**



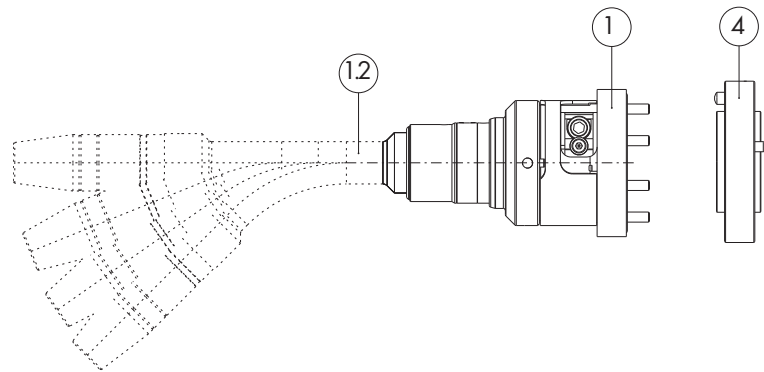
**ABIROB® W**



**ABIROB® GC**

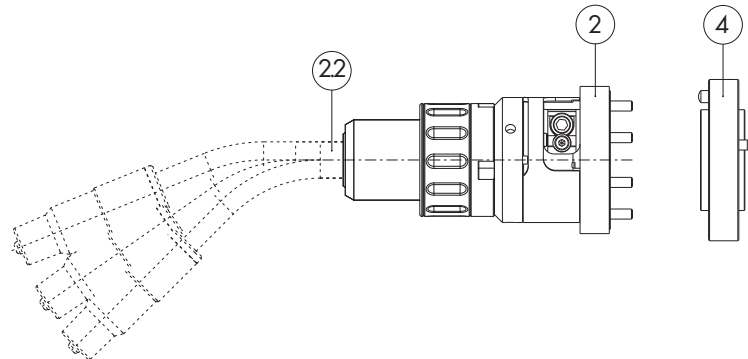
### ABIROB® A

The proven air-cooled system.  
High stability and repeatability.



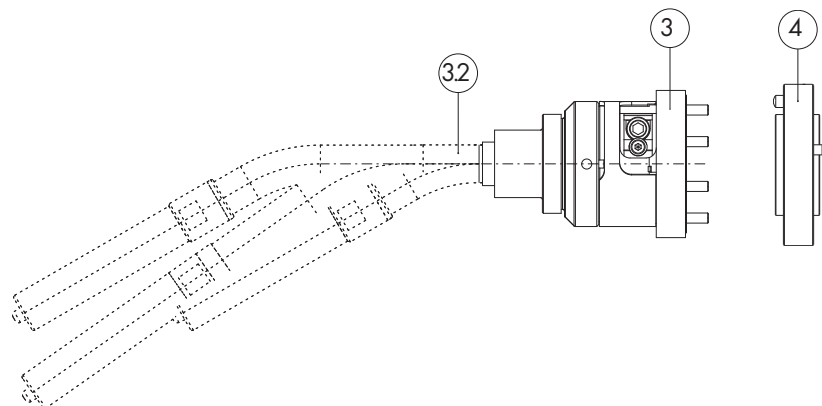
### ABIROB® W

For particularly demanding applications.  
Liquid-cooled.



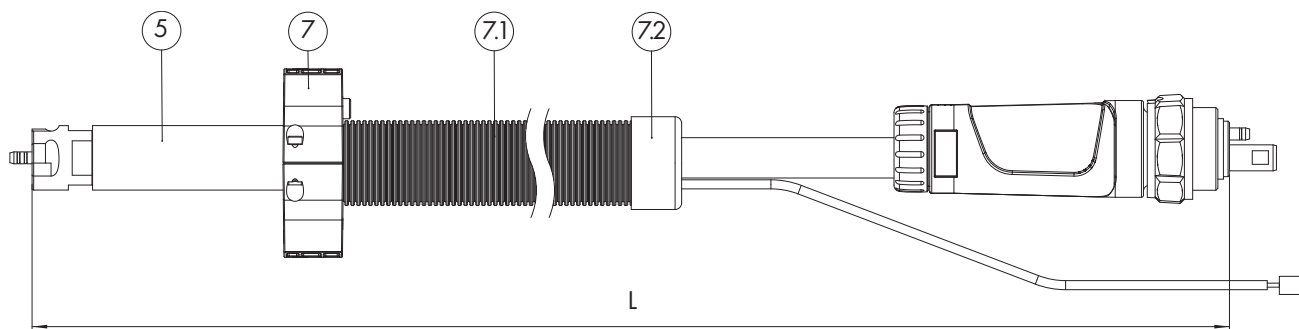
### ABIROB® 350 GC

Economical and reliable in the typical  
Asian CO<sub>2</sub> torch design.

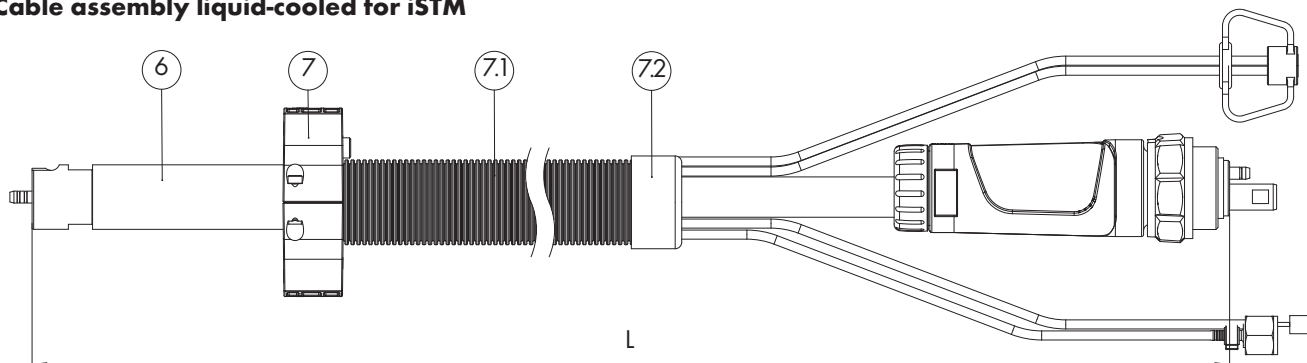


<b>Component</b>	<b>Pos.</b>	<b>Description</b>	<b>Order-no.</b>
<b>Robot mount iSTM</b>	1	iSTM ABIROB® A cpl.	780.3200
	2	iSTM ABIROB® W cpl.	780.3210
	3	iSTM ABIROB® GC cpl.	780.3230
<b>Intermediate flange</b>	4	Robot flange for ABB® IRB 1600ID	780.0678
<b>Torch neck*</b> <b>ABIROB® A 500</b> <b>ABIROB® A 360</b> <b>ABIROB® A 300</b>	1.2	ABIROB® A 500 0°	980.1012
		ABIROB® A 500 22°	980.1013
		ABIROB® A 500 35°	980.1014
		ABIROB® A 500 45°	980.1015
		ABIROB® A 360 0°	980.1023
		ABIROB® A 360 22°	980.1024
		ABIROB® A 360 35°	980.1025
		ABIROB® A 360 45°	980.1026
		ABIROB® A 300 45°	on request
		<b>Torch neck*</b> <b>ABIROB® W 500</b> <b>ABIROB® W 300</b>	2.2
ABIROB® W 500 35°	782.0004		
ABIROB® W 500 45°	782.0005		
ABIROB® W 300 22°	782.0014		
ABIROB® W 300 45°	782.0015		
<b>Torch neck*</b> <b>ABIROB® 350 GC</b>	3.2	ABIROB® 350 GC 35°	980.0004
		ABIROB® 350 GC 30° short	980.0027
		ABIROB® 350 GC 30° long	980.0028

### Cable assembly air-cooled for iSTM



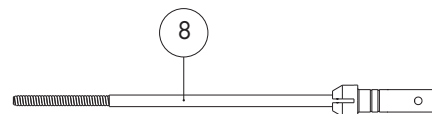
### Cable assembly liquid-cooled for iSTM



### Liner for air- and liquid-cooled cable assemblies

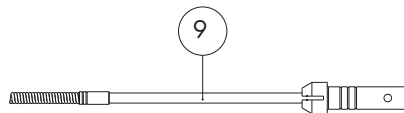
#### For steel welding

PA collet screwed on (for Euro central connector)



#### For aluminium welding

PA collet screwed on (for Euro central connector)



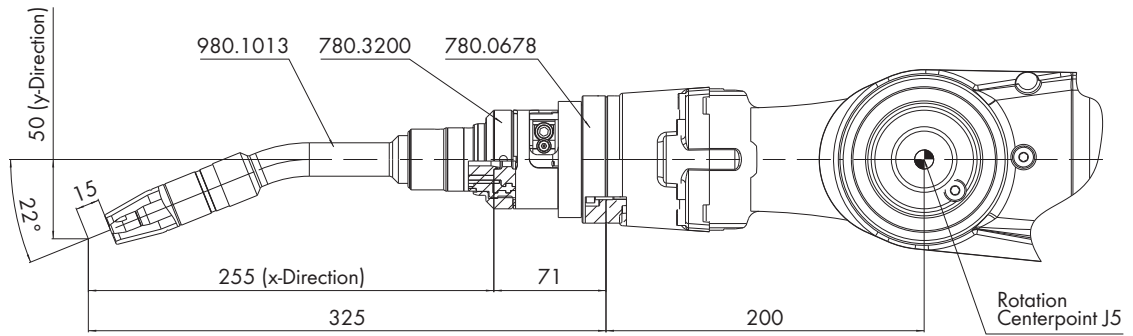
Wire feeder*	Connector-Type	ABIROB® A and GC	ABIROB® W	length (L)	Liner	
		(pos. 5)	(pos. 6)		standard**	alternative
ESAB® AristoTM Robo Feed 3004w	Euro Central	390.0004	390.0005	1.05 m	C	A/B/D/E/F
EWM®	Euro Central	980.2122	980.2125	1.05 m	C	A/B/D/E/F
Kemppti® KempArcTM DT 400	Euro Central	980.2121	980.2124	1.05 m	C	A/B/D/E/F
Fronius® VR 1500 PAP	Fronius®	on request	on request	-	-	-

Component	No.	Pos.	Description	Order-no.
<b>Accessories</b>	7		Wrist protection cpl.	400.1194
	7.1		Outer hose (length indication necessary)	109.0074
	7.2		Outer hose end piece	500.0453
			w/o fig. Cable setting tool (for an easy mounting of the cable assembly)	980.2030
<b>Screwed on PA collet for steel welding</b>	A	8	Liner 2.0 x 4.5 x 2000 mm; 1.0-1.2 mm wire; gas pressure < 2.0 bar	124.0170
	B	8	Liner 1.9 x 5.5 x 3600 mm; 1.0-1.2 mm wire	124.0146
	C	8	Liner 1.9 x 5.5 x 2000 mm; 1.0-1.2 mm wire	124.0145
	D	8	Liner 2.2 x 6.0 x 2000 mm; 1.2-1.6 mm wire	124.0147
<b>Screwed on PA collet for aluminum welding</b>	E	9	Combiliner 1.2-1.6 mm wire; total length 2.4 m	128.M008
	F	9	Combiliner 1.2-1.6 mm wire; total length 2.4 m	128.M012

**Note:** All trademarks mentioned are property of the respective companies.

\*Further assemblies e.g. with airblast function or for other wire feeder manufacturers on request. • \*\*Contained in the original equipment.

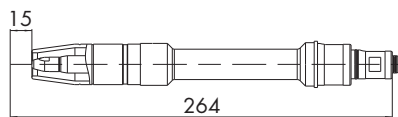
**Dimensional sketch ABIROB® A (incl. robot flange)**



**ABIROB® A 500 standard torch necks**

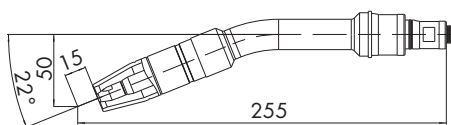
**0°**

980.1012



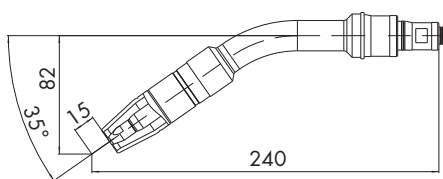
**22°**

980.1013



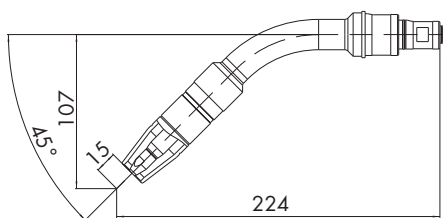
**35°**

980.1014



**45°**

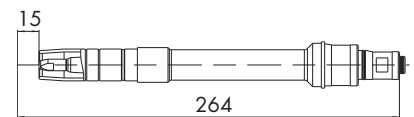
980.1015



**ABIROB® A 360 standard torch necks**

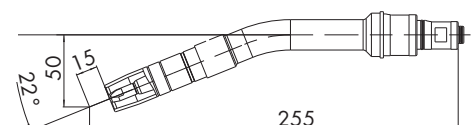
**0°**

980.1023



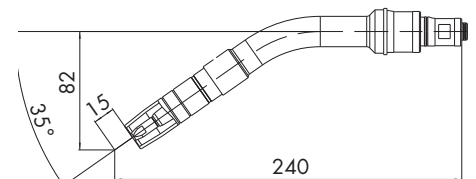
**22°**

980.1024



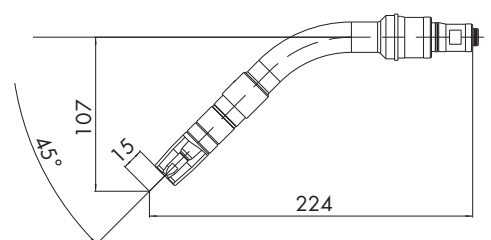
**35°**

980.1025



**45°**

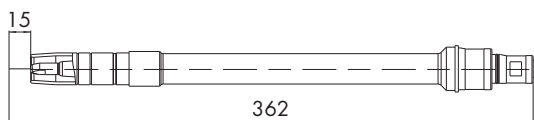
980.1026



**ABIROB® A special torch necks\***

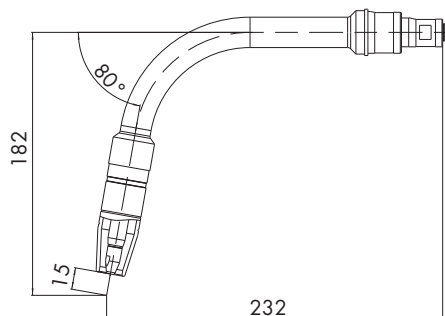
**0°**

980.1120



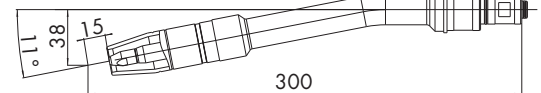
**80°**

980.1121



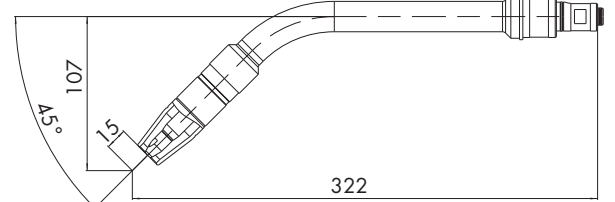
**11°**

980.1101



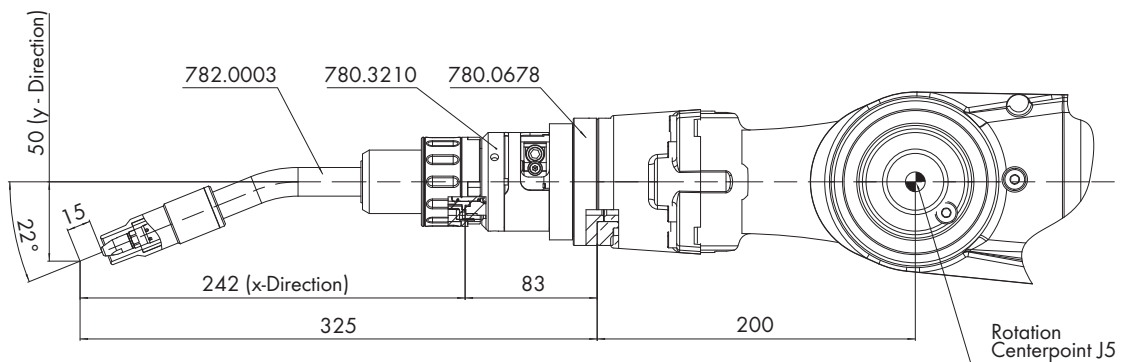
**45°**

980.1108



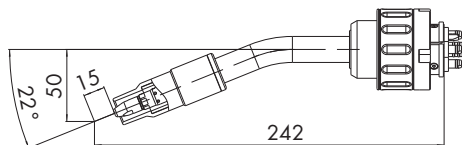
\*More special torch necks on request.

**Dimensional sketch ABIROB® W (incl. robot flange)**

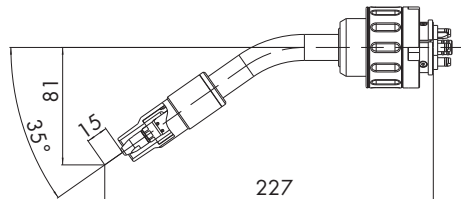


**ABIROB® W 500 standard torch necks**

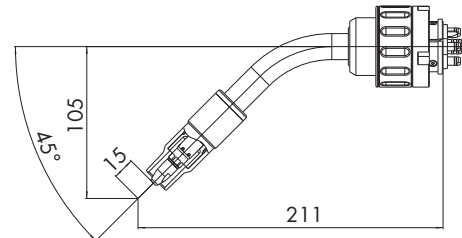
**22°**  
782.0003



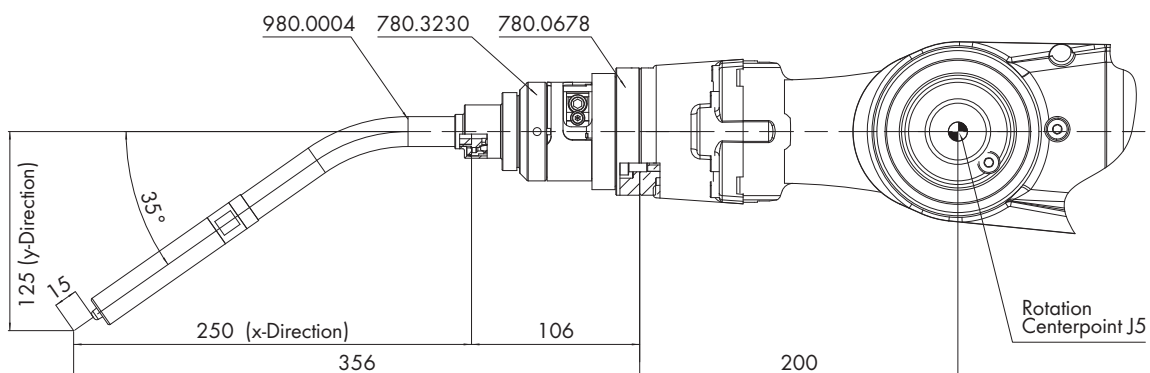
**35°**  
782.0004



**45°**  
782.0005

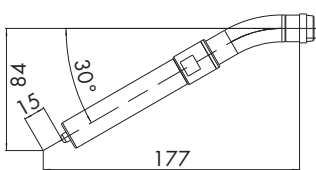


**Dimensional sketch ABIROB® GC (incl. robot flange)**

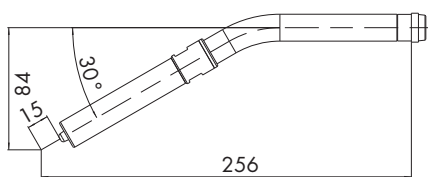


**ABIROB® 350 GC standard torch necks**

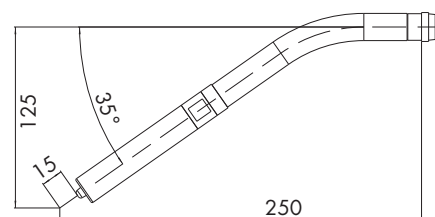
**30°**  
980.0027



**30°**  
980.0028



**35°**  
980.0004



# Think global: ABICOR BINZEL subsidiaries & partners world-wide

## Headquarter

### Germany

Alexander Binzel  
Schweisstechnik GmbH & Co. KG  
Kiesacker  
D-35418 Buseck  
Phone: ++49 (0) 64 08/59-0  
Fax: ++49 (0) 64 08/59-193

## Europe

### Austria

Binzel Ges.m.b.H Schweißtechnik  
Vogelweiderstraße 44a  
A-5020 Salzburg  
Phone: ++43 (0) 662/62 89 11-0  
Fax: ++43 (0) 662/62 89 11-33

### Belgium

Binzel Benelux bvba  
Industriepark Eke,  
Rozenstraat 6a  
B-9810 Nazareth  
Phone: ++32 (0) 9/3 82 90 80  
Fax: ++32 (0) 9/3 82 90 83

### Bulgaria

Binzel Bulgarien  
bul. Tscherni wrach 71a  
BG-1407 Sofia  
Phone: ++359 (0) 2/9 62 69 41  
Fax: ++359 (0) 2/9 62 69 40

### Czech Republic

Alexander Binzel Spol.s.r.o.  
Svareci Technika  
Maixnerova 760  
CZ-50801 Horice  
Phone: ++420 (0) 4 93 62 19 37  
Fax: ++420 (0) 4 93 62 24 30

### Denmark

Alexander Binzel Svenska AB  
Ringugnsgatan 4  
S-21616 Limhamn  
Phone: ++46 (0) 40 69 91-750  
Fax: ++46 (0) 40 69 91-770

### England

Alexander Binzel U.K. Ltd.  
Binzel House, Mill Lane  
Winwick Quay  
GB-Warrington, Cheshire WA2 8UA  
Phone: ++44 (0) 19 25/65-39 44  
Fax: ++44 (0) 19 25/65-48 61

### Estonia

Binzel Baltic UAB  
Statybininku 7  
LT-96155 Gargzdai  
Phone: ++370 (0) 46 40 16 73  
Fax: ++370 (0) 46 47 05 61

### Finland

Alexander Binzel Hitsaustekniikka OY  
Kartanontie 53  
SF-28430 Pori  
Phone: ++358 (0) 2/63 44-600  
Fax: ++358 (0) 2/63 44-650

### France

BINZEL Soudage B.P. 4  
6, rue des Frères Lumière  
F-67038 Eckbolsheim/  
Strasbourg-Cedex 2  
Phone: ++33 (0) 3 88 76 58 75  
Fax: ++33 (0) 3 88 76 56 54

### Italy

SAFEMA s.r.l.  
Via degli Ofefici Blocco 35  
Centergross  
I-40050 Funo di Argelato, Bologna  
Phone: ++39 (0) 051/6 64 60 94  
Fax: ++39 (0) 051/86 23 04

### Latvia

UAB Binzel Baltic  
Laugaliu 9  
LT-5840 Gargzdai  
Phone: ++370 (0) 46 40 16 73  
Fax: ++370 (0) 46 47 05 61

### Lithuania

Binzel Baltic UAB  
Statybininku 7  
LT-96155 Gargzdai  
Phone: ++370 (0) 46 40 16 73  
Fax: ++370 (0) 46 47 05 61

### Luxembourg

Binzel Benelux bvba  
Industriepark Eke,  
Rozenstraat 6 a  
B-9810 Nazareth  
Phone: ++32 (0) 9/3 82 90 80  
Fax: ++32 (0) 9/3 82 90 83

### Netherlands

Binzel Benelux bvba  
Industriepark Eke,  
Rozenstraat 6 a  
B-9810 Nazareth  
Phone: ++32 (0) 9/382 90 80  
Fax: ++32 (0) 9/382 90 83

### Norway

Binzel Norge A/S Sveiseteknikk  
Industriveien  
N-3301 Hokksund  
Phone: ++47 (0) 32 25 19 90  
Fax: ++47 (0) 32 75 46 83

### Poland

Abicor Binzel  
Technika Spawalnicza Sp.z.o.o.  
ul. Budowlanych 46B  
PL-45-123 Opole  
Phone: ++48 (0) 77/4 66 73 42  
Fax: ++48 (0) 77/4 66 64 22

### Romania

S.C. ABICOR BINZEL Romania s.r.l.  
Bld. Petrolului Nr. 10  
RO-100521 Ploiesti  
Phone: ++40 (0) 244 406 651  
Fax: ++40 (0) 244 406 652

### Russia

ABICOR BINZEL  
Svarochnaya Technika  
ul. Urzhumskaya 4  
RUS-129 343 Moskva  
Phone: ++7 (0) 495/2 21 84 81  
Fax: ++7 (0) 495/5 10 64 70

### Slovak Republic

Alexander Binzel Spol. s.r.o.  
Zvaracia Technika  
Senecka Cesta  
SR-93101 Samorin  
Phone: ++421 (0) 31/5 62 25-25  
Fax: ++421 (0) 31/5 60 00-63

### Spain

Binzel Soldadura, S.L  
Poligono Industrial Erratzu  
Parcela C-Pabellon 1  
E-20130 Urnieta/Guipuzcoa  
Phone: ++34 (0) 9 43/33 53 52  
Fax: ++34 (0) 9 43/33 52 83

### Sweden

Alexander Binzel Svenska AB  
Ringugnsgatan 4  
S-21616 Limhamn  
Phone: ++46 (0) 40 69 91-750  
Fax: ++46 (0) 40 69 91-770

### Switzerland

Schweisstechnik Grenchen  
Binzel GmbH & Co. KG  
Kapellstrasse 24-30  
Gebäude 3/3. OG  
CH-2540 Grenchen  
Phone: ++41 (0) 32 6 44 34 44  
Fax: ++41 (0) 32 6 44 34 40

### Turkey

ABICOR BINZEL Kaynak Teknik  
Küçükyalı Is Merkezi  
Girne Mahallesi Irmak Sok.  
A Blok No:15, Maltepe  
TR-34852 Istanbul/Türkiye  
Phone: ++90 (0) 216/65 86 88-1  
Fax: ++90 (0) 216/65 86 88-3

### Ukraine

Binzel Ukraine GmbH  
Petropawlowskaja 24  
UA-08130, Petropawlowskja  
Borschtschangowka,  
Rayon Kiew-Swjatoschin  
Phone: ++380 (0) 44/4 03 12 99  
Fax: ++380 (0) 44/4 03 16 99

## Africa

### South Africa

Alexander Binzel (Proprietary) Ltd.  
39, Maxwell St.  
ZA-2091 Ophirton/Johannesburg  
Phone: ++27 (0) 11/4 93 70 50  
Fax: ++27 (0) 11/4 93 06 76

## America

### Brasil

Binzel do Brasil Industrial Ltda.  
Estrada Uniao Indústria, km 15,5  
Condominio Industrial Oswaldo Cruz,  
No. 17 Itaipava  
BRA-25750-221 Petropolis-RJ  
Phone: ++55 (0) 24 22 22 97 50  
Fax: ++55 (0) 24 22 22 97 97

### Canada

Alexander Binzel Canada Inc.  
55 Mills Road Units 1-4  
CDN-Ajax, Ontario L1S 2H2  
Phone: ++1 (0) 905/4 28 16 11  
Fax: ++1 (0) 905/4 28 15 98

### Mexico

Binzel, S.A. de C.V.  
Municipio Pabellón de Arteaga 102  
MX-20358 P.I.V.A.  
Aguascalientes, Ags. C.P.  
Phone: ++52 (0) 449/9 73-01 33  
Fax: ++52 (0) 449/9 73-13 88

### USA

Alexander Binzel Corporation  
650 Medimmune Court  
Suite 110  
Frederick, MD 21703-8619 USA  
Phone: ++1 (0) 301/8 46-08 72  
Fax: ++1 (0) 301/8 46-44 97

## Asia

### China

Guangzhou Abitec (China)  
Welding Equipment Company Co. Ltd.  
No. 42, Dongpeng Road  
East District, GETDD  
CN-510530 Guangzhou  
Phone: ++86 (0) 20/82 26 55 68  
Fax: ++86 (0) 20/82 26 55 98

### India

Abicor Binzel Technoweld  
(India) Pvt. Ltd.  
Survey No. 297, 298, 299  
AT & Post: Village Urawade,  
Taluka Mulashi, Dist. Pune  
Maharashtra, India  
Phone: ++91 (0) 20 66 74 07 32  
Fax: ++91 (0) 20 66 52 03 40

### Japan

Binzel (Japan) Ltd.  
5-1, Oga 6-Chome, Habikino,  
J-Osaka (583-0876)  
Phone: ++81 (0) 7 29 52 13 45  
Fax: ++81 (0) 7 29 54 77 45

### South Korea

Abicor Binzel Korea Ltd.  
Post Code 462-729  
#1213 Kranz techno  
Sangdaewon-dong, Jungwon-gu  
KOE-Sungnam City,  
Gyeonggido 5442-1  
Phone: ++82 (0) 31/777 8577  
Fax: ++82 (0) 31/777 8580

### South East Asia

Area Manager  
Mr. Wilson Lim  
Singapore  
wilson@binzel-abicor.com

### Thailand

S.M. Parts & Trading Co., Ltd  
415/12 Mahaprutaram Rd.  
TH-10500 Bangkok  
Phone: ++66 (0) 38/608-640  
Fax: ++66 (0) 38/608-764

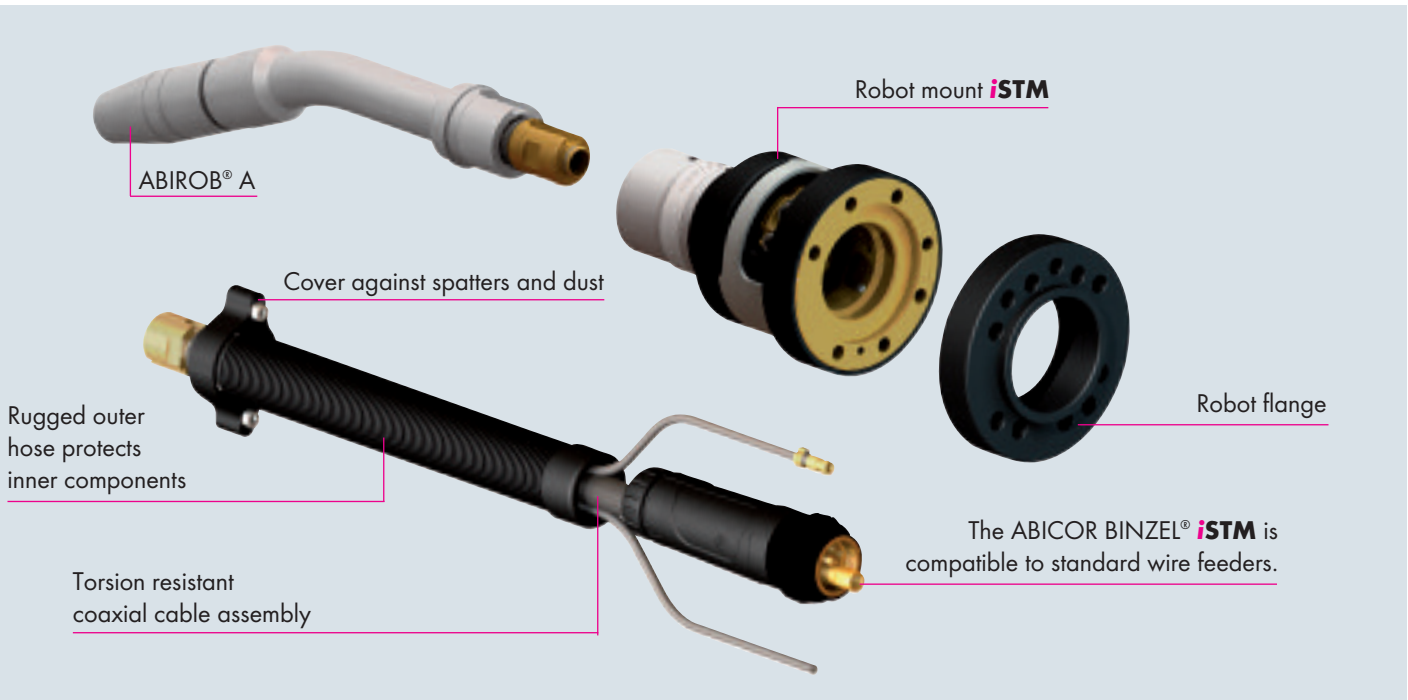
## Australia

### Australia

Binzel PTY Ltd.  
42 Hinkler Road, Mordialloc  
Victoria 3195, Australia  
Phone: ++61 (0) 3 95 80 65 00  
Fax: ++61 (0) 3 95 80 87 96

# Robot mount "iSTM"

The robot mount for the latest generation of welding robots!



## Technical data:

Type	Cooling	Rating at 100% DC		Wire (mm)	Weight (incl. torch neck)
		Mixed gas M21	CO <sub>2</sub>		
iSTM ABIROB® A500	air-cooled	370 A	420 A	0.8-1.6	approx. 1200 g
iSTM ABIROB® A360	air-cooled	290 A	360 A	0.8-1.4	approx. 1200 g
iSTM ABIROB® A300	air-cooled	250 A	300 A	0.8-1.4	approx. 1200 g
iSTM ABIROB® W500	liquid-cooled	400 A	450 A	0.8-1.6	approx. 1500 g
iSTM ABIROB® 350GC	air-cooled	300 A	350 A	0.8-1.2	approx. 1200 g



Alexander Binzel Schweisstechnik GmbH & Co. KG  
 P.O. Box 10 01 53 · D-35331 Gießen  
 Phone: ++49 (0) 64 08 / 59-0  
 Fax: ++49 (0) 64 08 / 59-191

[www.binzel-abor.com](http://www.binzel-abor.com)