



## Robot mount iSTM



**Specified internationally for the new FANUC® ARC Mate iC robot series:**

**iSTM** – the robot mount for the latest generation of welding robots with a central guided cable assembly through the 6<sup>th</sup> axis offers a high level of safety & flexibility for air- and liquid-cooled torches. In case of a collision of the welding torch with the work piece, the software of the robot will detect the collision.

### The secret:

- System 100% tested and approved by Fanuc Robotics®
- Highly torsion resistant cable assembly rotatable in the 6<sup>th</sup> axis over 480° (+/- 240°)
- Safety & optimal system performance due to high repeatability
- High productivity & long life time through rugged, simple design
- High flexibility and optimal work piece accessibility
- Reduction of maintenance costs due to an easy assembly and handling
- Highest reliability is offered through the comprehensive protection against dust and spatters
- Additional feature: Optional airblast and anti spatter injection through the cable assembly



## iSTM System Overview

### ABIROB® A

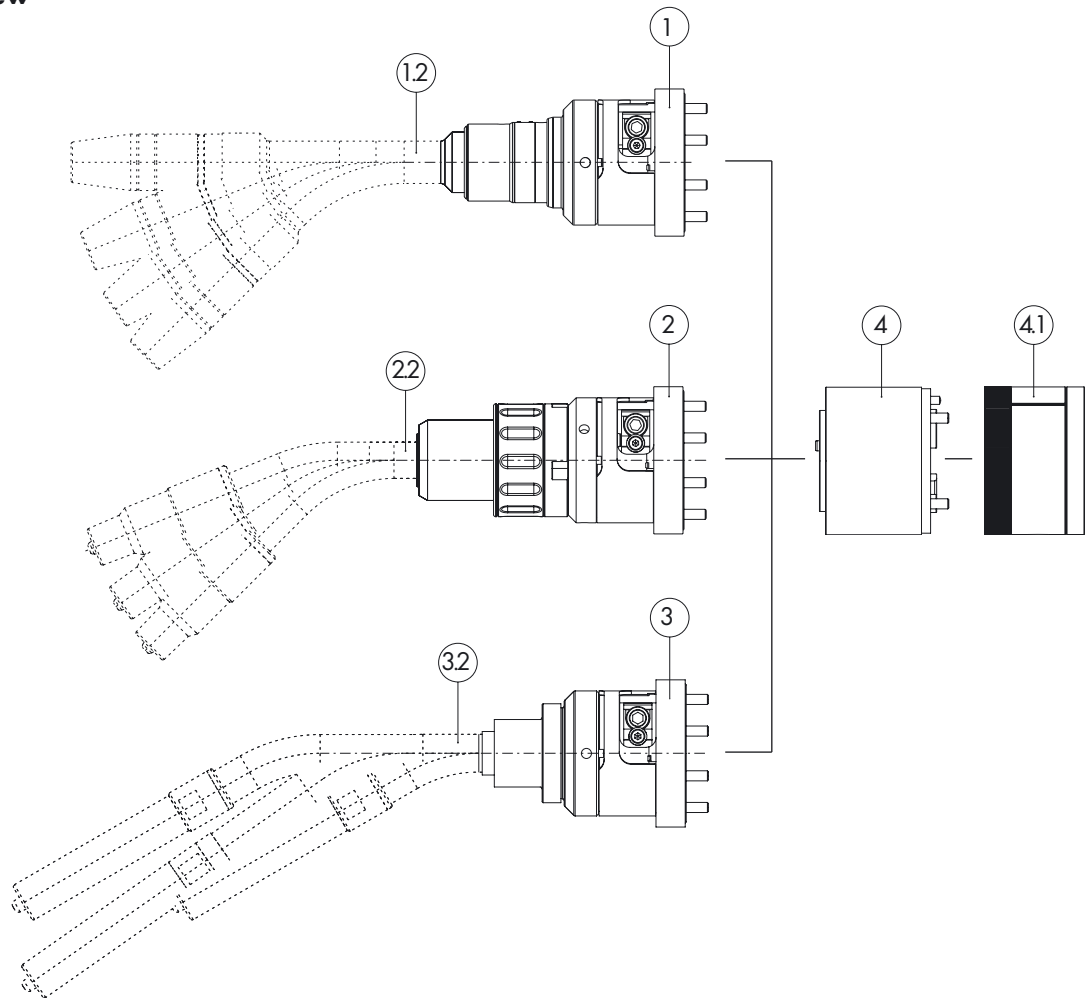
The proven air cooled system. High stability and repeatability.

### ABIROB® W

For particularly demanding applications. Liquid-cooled.

### ABIROB® 350 GC

Economical and reliable in the typical Asian CO<sub>2</sub> torch design.

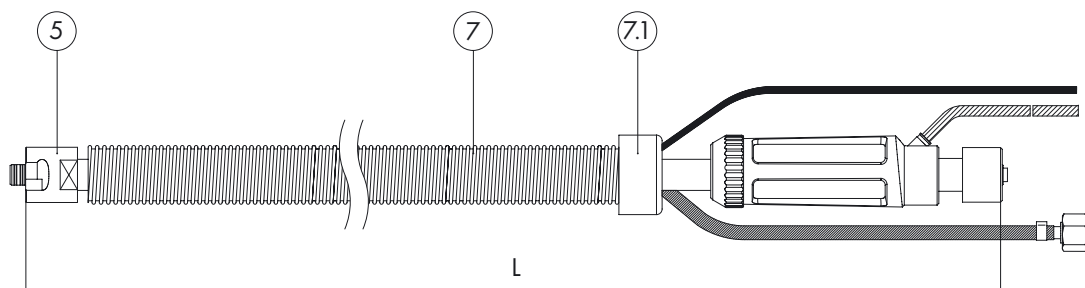


Component	Pos.	Description	Order-no.
<b>Robot mount iSTM</b>	1	iSTM ABIROB® A cpl.	780.3200
	2	iSTM ABIROB® W cpl.	780.3210
	3	iSTM ABIROB® GC cpl.	780.3230
<b>Intermediate flange</b>	4	Isolation flange for FANUC® ARC Mate iC robot series	780.0680
	4.1	Intermediate modul (swivel) for FANUC® ARC Mate iC robot series	780.3220
<b>Torch neck* ABIROB® A 500 ABIROB® A 360 ABIROB® A 300</b>	1.2	ABIROB® A 500 0°	980.1012
		ABIROB® A 500 22°	980.1013
		ABIROB® A 500 35°	980.1014
		ABIROB® A 500 45°	980.1015
		ABIROB® A 360 0°	980.1023
		ABIROB® A 360 22°	980.1024
		ABIROB® A 360 35°	980.1025
		ABIROB® A 360 45°	980.1026
		ABIROB® A 300 45°	980.1146.1
	<b>Torch neck* ABIROB® W 500 ABIROB® W 300</b>	2.2	ABIROB® W 500 22°
		ABIROB® W 500 35°	782.0004
		ABIROB® W 500 45°	782.0005
		ABIROB® W 300 22°	782.0014
		ABIROB® W 300 45°	782.0015
<b>Torch neck* ABIROB® 350 GC</b>	3.2	ABIROB® 350 GC 35°	980.0004
		ABIROB® 350 GC 30° short	980.0027
		ABIROB® 350 GC 30° long	980.0028

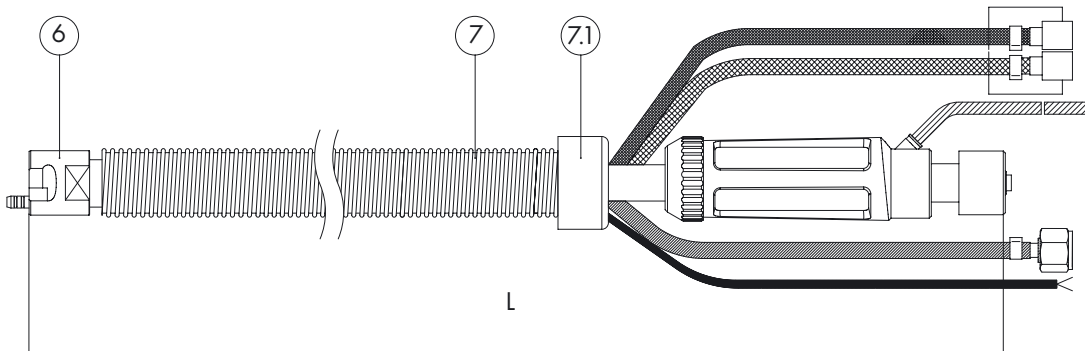
Subject to change without notice. • Guarantee for genuine BINZEL spares only. • \*Standard torch necks, for spare parts see ROBO-Catalogue.

## Cable assemblies for iSTM

air-cooled



liquid-cooled



Wire feeder*	Connector-Type	Fanuc® Arc Mate	ABIROB® A and GC ABIROB® W length			Liner	
			(pos. 5)	(pos. 6)	(L)	standard**	alternative
ESAB® Robo Feed 3004w	Euro Central	100iC	980.2108	980.2115	0.84 m	H	F/G/I/M/N
EWM®	Euro Central	100iC	980.2110	980.2117	0.85 m	H	F/G/I/M/N
Kemppi® KempArc™ DT 400	Euro Central	100iC	980.2107	980.2114	0.84 m	H	F/G/I/M/N
MIGATRONIC®	Euro Central	100iC	980.2109	980.2116	0.84 m	H	F/G/I/M/N
Lincoln® AutoDrive 4R90	Lincoln®	100iC	980.2112	980.2119	0.85 m	C	A/C/D/E/K/L
Lincoln® AutoDrive 4R90	Lincoln®	100iC/6L	980.2131	980.2149	1.07 m	C	A/C/D/E/K/L
Lincoln® AutoDrive 4R90	Lincoln®	120iC	980.2147	980.2150	1.05 m	C	A/B/D/E/K/L
Lincoln® AutoDrive 4R90	Lincoln®	120iC/10L	980.2148	980.2151	1.25 m	C	A/B/D/E/K/L
Fronius® VR 1500 PAP	Fronius®	100iC	on request	980.2182	1.01 m	J	○
Fronius® VR 1500 PAP	Fronius®	100iC/6L	on request	980.2183	1.23 m	J	○
Fronius® VR 1500 PAP	Fronius®	120iC	on request	980.2184	1.21 m	J	○
Fronius® VR 1500 PAP	Fronius®	120iC/10L	on request	980.2185	1.41 m	J	○
Panasonic®	Panasonic®	100iC	980.2113	980.2120	0.85 m	B	A/C/D/E/K/L
Panasonic®	Panasonic®	100iC/6L	980.2128	980.2129	1.07 m	A	A/C/D/E/K/L

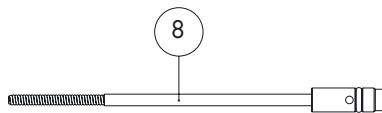
Component	Pos.	Description	Order-no.
Accessories	7	Outer hose (length indication necessary)	109.0074
	7.1	Outer hose end piece	500.0453
		w/o fig. Cable setting tool (for an easy mounting of the cable assembly)	980.2030

\*Further assemblies e.g. with airblast function or for other wire feeder manufacturers on request.

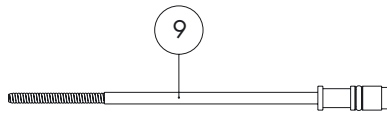
\*\*Contained in the original equipment.

## Liner for air- and liquid-cooled cable assemblies for steel welding

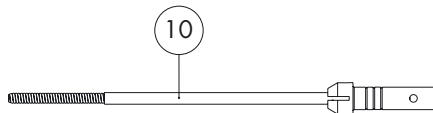
PA nipple screwed on  
(for Panasonic®/Lincoln®)



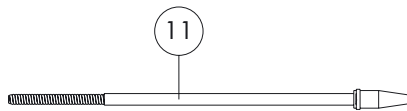
Brass nipple crimped  
(for Panasonic®/Lincoln®)



PA collet screwed on  
(for Euro central connector)



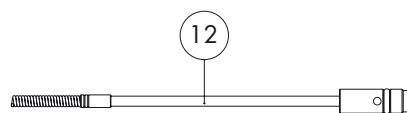
Liner  
(Fronius®)



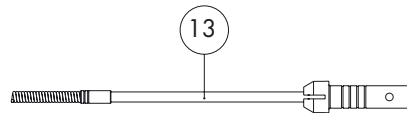
Component	No.	Pos.	Description	Order-no.
<b>Screwed on PA nipple</b>	A	8	Liner 1.9 x 5.5 x 2200 mm; 1.0-1.2 mm wire	124.0163
	B	8	Liner 2.0 x 4.5 x 2200 mm; 1.0-1.2 mm wire; gas pressure < 2.0 bar	124.0164
<b>Crimped brass nipple</b>	C	9	Liner 2.0 x 4.5 x 2200 mm; 1.0-1.2 mm wire; gas pressure < 2.0 bar	124.0165
	D	9	Liner 1.9 x 5.5 x 1300 mm; 1.0-1.2 mm wire	124.D070
	E	9	Liner 1.9 x 5.5 x 3400 mm; 1.0-1.2 mm wire	124.D075
<b>Screwed on PA collet</b>	F	10	Liner 2.0 x 4.5 x 2000 mm; 1.0-1.2 mm wire; gas pressure < 2.0 bar	124.0170
	G	10	Liner 1.9 x 5.5 x 3600 mm; 1.0-1.2 mm wire	124.0146
	H	10	Liner 1.9 x 5.5 x 2000 mm; 1.0-1.2 mm wire	124.0145
	I	10	Liner 2.2 x 6.0 x 2000 mm; 1.2-1.6 mm wire	124.0147
	J	11	Liner 1.9 x 5.5 x 2200 mm; 1.0-1.2 mm wire	124.0174

## Liner for air- and liquid-cooled cable assemblies for aluminium welding

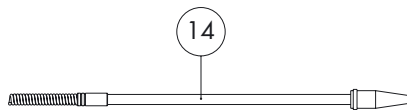
PA nipple screwed on  
(for Panasonic®, Lincoln®)



PA collet screwed on  
(for Euro central connector)



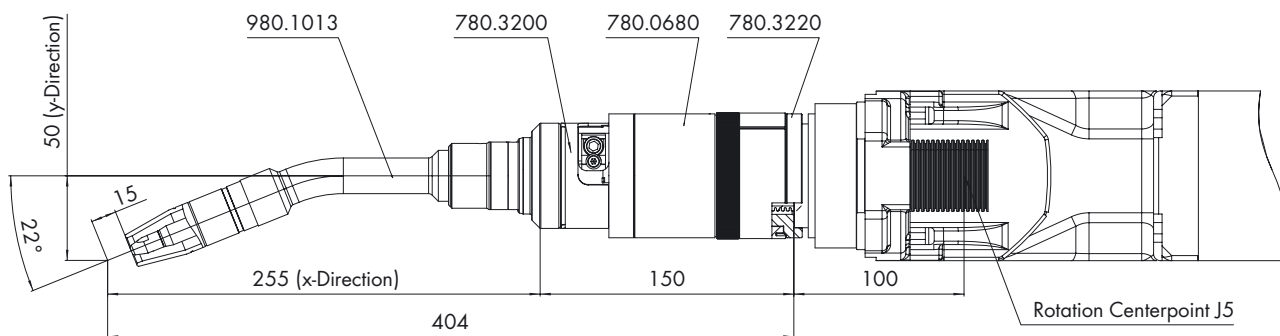
Liner  
(Fronius®)



Component	No.	Pos.	Description	Order-no.
<b>Screwed on PA nipple</b>	K	12	Combiliner 1.0-1.2 mm wire; total length 2.4 m	128.M006
	L	12	Combiliner 1.2-1.6 mm wire; total length 2.4 m	128.M010
<b>Screwed on PA collet</b>	M	13	Combiliner 1.0-1.2 mm wire; total length 2.4 m	128.M008
	N	13	Combiliner 1.2-1.6 mm wire; total length 2.4 m	128.M012
<b>Liner</b>	O	14	Combiliner 1.0-1.6 mm wire; total length 2.4 m	128.M014

**Note:** All trademarks mentioned are property of the respective companies.

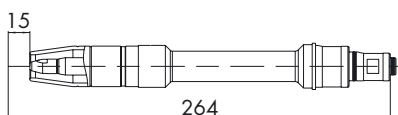
**Dimensional sketch ABIROB® A (incl. robot flange)**



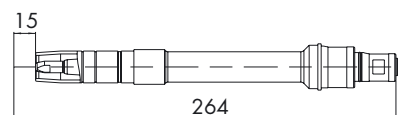
**ABIROB® A 500 standard torch necks**

**ABIROB® A 360 standard torch necks**

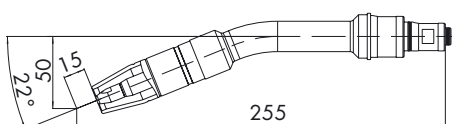
**0°**  
980.1012



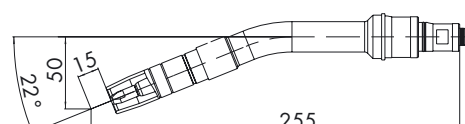
**0°**  
980.1023



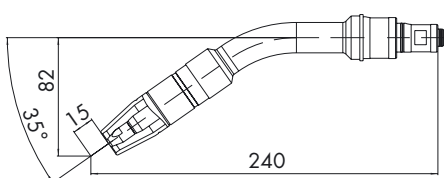
**22°**  
980.1013



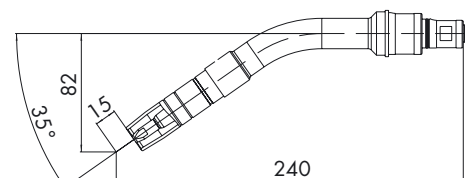
**22°**  
980.1024



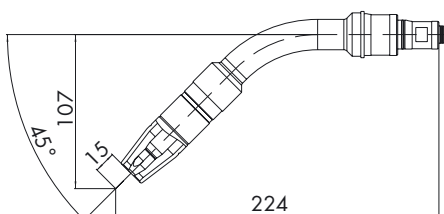
**35°**  
980.1014



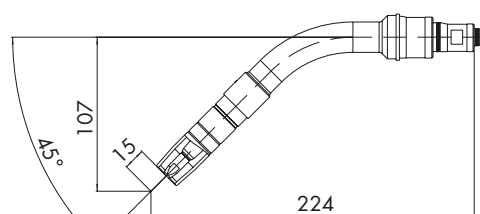
**35°**  
980.1025



**45°**  
980.1015

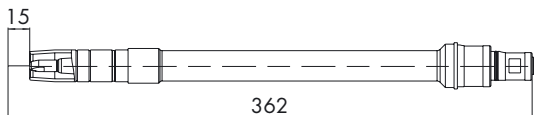


**45°**  
980.1026

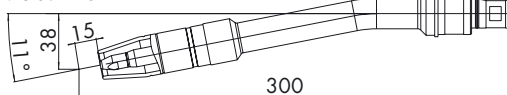


**ABIROB® A special torch necks\***

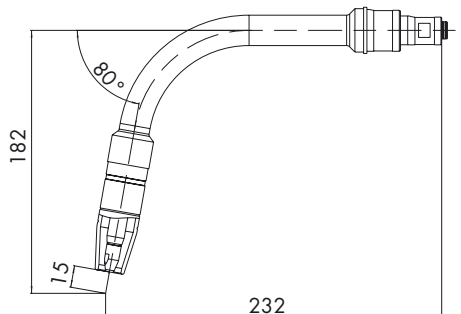
**0°**  
980.1120



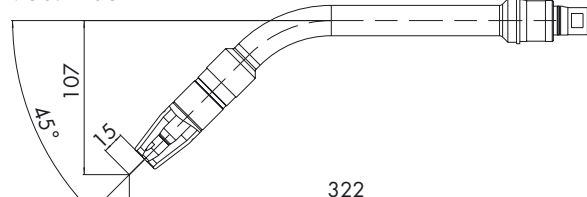
**11°**  
980.1101



**80°**  
980.1121

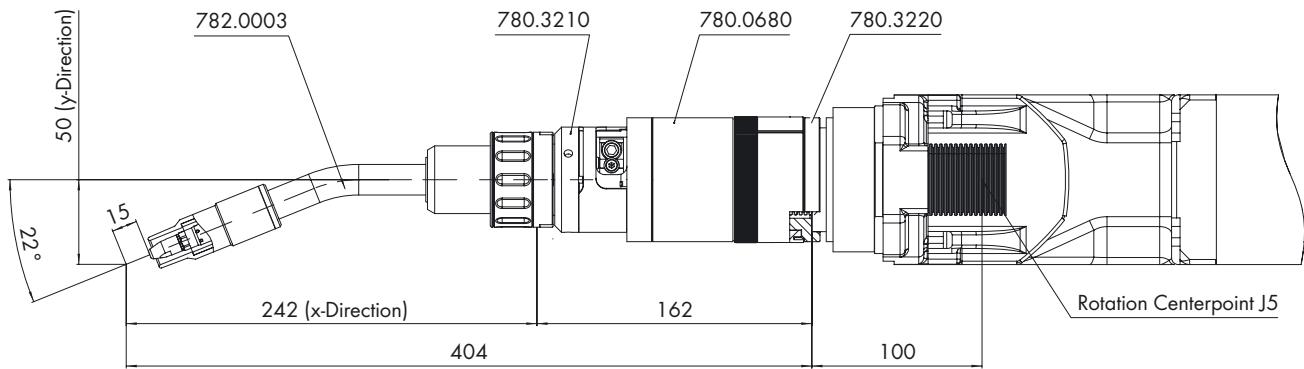


**45°**  
980.1108



\*More special torch necks on request.

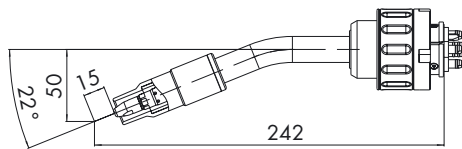
**Dimensional sketch ABIROB® W (incl. robot flange)**



**ABIROB® W 500 standard torch necks**

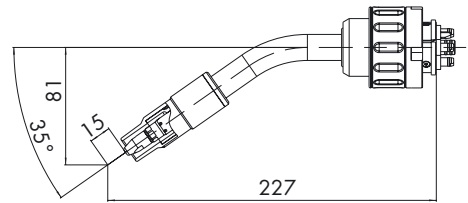
**22°**

782.0003



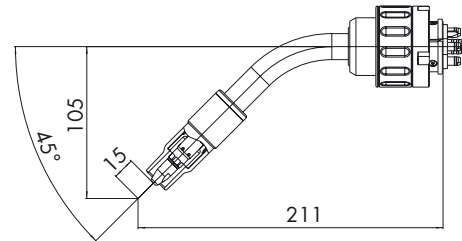
**35°**

782.0004

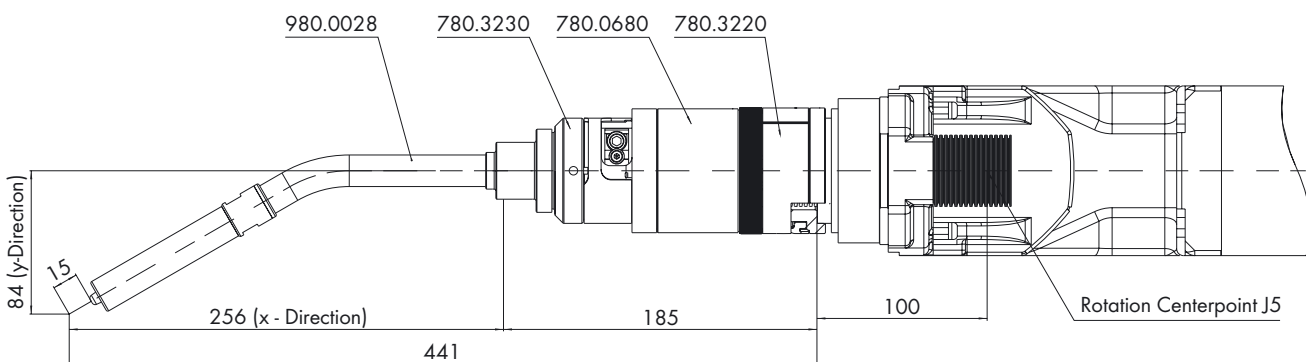


**45°**

782.0005



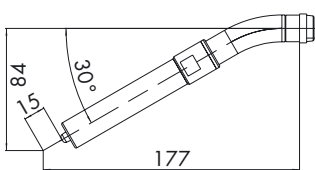
**Dimensional sketch ABIROB® GC (incl. robot flange)**



**ABIROB® 350 GC standard torch necks**

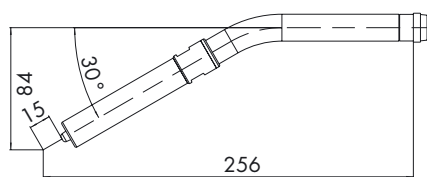
**30°**

980.0027



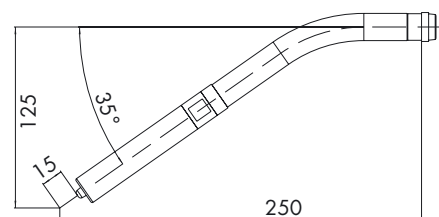
**30°**

980.0028



**35°**

980.0004



# Think global: ABICOR BINZEL subsidiaries & partners world-wide!

## Headquarter

### Germany

Alexander Binzel  
Schweisstechnik GmbH & Co. KG  
Kiesacker  
D-35418 Buseck  
Phone: ++49 (0) 64 08/59-0  
Fax: ++49 (0) 64 08/59-193

## Europe

### Austria

Binzel Ges.m.b.H Schweißtechnik  
Vogelweiderstraße 44a  
A-5020 Salzburg  
Phone: ++43 (0) 662/62 89 11-0  
Fax: ++43 (0) 662/62 89 11-33

### Belgium

Binzel Benelux bvba  
Industriepark Eke,  
Rozenstraat 6a  
B-9810 Nazareth  
Phone: ++32 (0) 9/3 82 90 80  
Fax: ++32 (0) 9/3 82 90 83

### Bulgaria

Binzel Bulgarien  
bul. Tscherni wrach 71a  
BG-1407 Sofia  
Phone: ++359 (0) 2/9 62 69 41  
Fax: ++359 (0) 2/9 62 69 40

### Czech Republic

Alexander Binzel Spol.s.r.o  
Svareci Technika  
Maixnerova 760  
CZ-50801 Horice  
Phone: ++420 (0) 4 93 62 19 37  
Fax: ++420 (0) 4 93 62 24 30

### Denmark

Alexander Binzel Svenska AB  
Ringugnsgatan 4  
S-21616 Limhamn  
Phone: ++46 (0) 40 69 91-750  
Fax: ++46 (0) 40 69 91-770

### England

Alexander Binzel U.K. Ltd.  
Binzel House, Mill Lane  
Winwick Quay  
GB-Warrington, Cheshire WA2 8UA  
Phone: ++44 (0) 19 25/65-39 44  
Fax: ++44 (0) 19 25/65-48 61

### Estonia

Binzel Baltic UAB  
Statybininku 7  
LT-96155 Gargzdai  
Phone: ++370 (0) 46 40 16 73  
Fax: ++370 (0) 46 47 05 61

### Finland

Alexander Binzel Hitsaustekniikka OY  
Kartanontie 53  
SF-28430 Pori  
Phone: ++358 (0) 2/63 44-600  
Fax: ++358 (0) 2/63 44-650

### France

BINZEL Soudage B.P. 4  
6, rue des Frères Lumière  
F-67038 Eckbolsheim/  
Strasbourg-Cedex 2  
Phone: ++33 (0) 3 88 76 58 75  
Fax: ++33 (0) 3 88 76 56 54

### Italy

SAFEMA s.r.l.  
Via degli Orefici Blocco 35  
Centergross  
I-40050 Funo di Argelato, Bologna  
Phone: ++39 (0) 051/6 64 60 94  
Fax: ++39 (0) 051/86 23 04

### Latvia

UAB Binzel Baltic  
Laugaliu 9  
LT-5840 Gargzdai  
Phone: ++370 (0) 46 40 16 73  
Fax: ++370 (0) 46 47 05 61

### Lithuania

Binzel Baltic UAB  
Statybininku 7  
LT-96155 Gargzdai  
Phone: ++370 (0) 46 40 16 73  
Fax: ++370 (0) 46 47 05 61

### Luxembourg

Binzel Benelux bvba  
Industriepark Eke,  
Rozenstraat 6 a  
B-9810 Nazareth  
Phone: ++32 (0) 9/3 82 90 80  
Fax: ++32 (0) 9/3 82 90 83

### Netherlands

Binzel Benelux bvba  
Industriepark Eke,  
Rozenstraat 6 a  
B-9810 Nazareth  
Phone: ++32 (0) 9/382 90 80  
Fax: ++32 (0) 9/382 90 83

### Norway

Binzel Norge A/S Sveiseteknikk  
Industriveien  
N-3301 Hokksund  
Phone: ++47 (0) 32 25 19 90  
Fax: ++47 (0) 32 75 46 83

### Poland

Abicor Binzel  
Technika Spawalnicza Sp.z.o.o.  
ul. Budowlanych 46B  
PL-45-123 Opole  
Phone: ++48 (0) 77/4 66 73 42  
Fax: ++48 (0) 77/4 66 64 22

### Romania

S.C. ABICOR BINZEL Romania s.r.l.  
Bld. Petrolului Nr. 10  
RO-100521 Ploiesti  
Phone: ++40 (0) 244 406 651  
Fax: ++40 (0) 244 406 652

### Russia

ABICOR BINZEL  
Svarochnaya Technika  
ul. Urzhumskaya 4  
RUS-129 343 Moskva  
Phone: ++7 (0) 495/2 21 84 81  
Fax: ++7 (0) 495/5 10 64 70

### Slovak Republic

Alexander Binzel Spol. s.r.o.  
Zvaracia Technika  
Senecka Cesta  
SR-93101 Samorin  
Phone: ++421 (0) 31/5 62 25-25  
Fax: ++421 (0) 31/5 60 00-63

### Spain

Binzel Soldadura, S.L  
Poligono Industrial Erratzu  
Parcela C - Pabellon 1  
E-20130 Urnieta/Guipuzcoa  
Phone: ++34 (0) 9 43/33 53 52  
Fax: ++34 (0) 9 43/33 52 83

### Sweden

Alexander Binzel Svenska AB  
Ringugnsgatan 4  
S-21616 Limhamn  
Phone: ++46 (0) 40 69 91-750  
Fax: ++46 (0) 40 69 91-770

### Switzerland

Schweisstechnik Grenchen  
Binzel GmbH & Co. KG  
Kapellstrasse 24-30  
Gebäude 3/3. OG  
CH-2540 Grenchen  
Phone: ++41 (0) 32 6 44 34 44  
Fax: ++41 (0) 32 6 44 34 40

### Turkey

ABICOR BINZEL Kaynak Teknik  
Küçükyalı Is Merkezi  
Girne Mahallesi Irmak Sok.  
A Blok No:15, Maltepe  
TR-34852 Istanbul/Türkiye  
Phone: ++90 (0) 216/65 86 88-1  
Fax: ++90 (0) 216/65 86 88-3

### Ukraine

ZA-Ukraine GmbH  
Petropawlowskaja 24  
UA-08130, Petropawlowskja  
Borschtschangowka,  
Rayon Kiew-Swjatoschin  
Phone: ++380 (0) 44/4 03 12 99  
Fax: ++380 (0) 44/4 03 16 99

## Africa

### South Africa

Alexander Binzel (Proprietary) Ltd.  
39, Maxwell St.  
ZA-2091 Ophirton/Johannesburg  
Phone: ++27 (0) 11/4 93 70 50  
Fax: ++27 (0) 11/4 93 06 76

## America

### Brasil

Binzel do Brasil Industrial Ltda.  
Estrada Uniao Indústria, km 15,5  
Condominio Industrial Oswaldo Cruz,  
No. 17 Itaipava  
BRA-25750-221 Petropolis-RJ  
Phone: ++55 (0) 24 22 22 97 50  
Fax: ++55 (0) 24 22 22 97 97

### Canada

Alexander Binzel Canada Inc.  
55 Mills Road Units 1-4  
CDN-Ajax, Ontario L1S 2H2  
Phone: ++1 (0) 905/4 28 16 11  
Fax: ++1 (0) 905/4 28 15 98

### Mexico

Binzel, S.A. de C.V.  
Municipio Pabellón de Arteaga 102  
MX-20358 P.I.V.A.  
Aguascalientes, Ags. C.P.  
Phone: ++52 (0) 449/9 73-01 33  
Fax: ++52 (0) 449/9 73-13 88

### USA

Alexander Binzel Corporation  
650 Medimmune Court  
Suite 110  
Frederick, MD 21703-8619 USA  
Phone: ++1 (0) 301/8 46-08 72  
Fax: ++1 (0) 301/8 46-44 97

## Asia

### China

Guangzhou Abitec (China)  
Welding Equipment Company Co. Ltd.  
No. 42, Dongpeng Road  
East District, GETDD  
CN-510530 Guangzhou  
Phone: ++86 (0) 20/82 26 55 68  
Fax: ++86 (0) 20/82 26 55 98

### India

Abicor Binzel Technoweld  
(India) Pvt. Ltd.  
Survey No. 297, 298, 299  
AT & Post: Village Urawade,  
Taluka Mulashi, Dist. Pune  
Maharashtra, India  
Phone: ++91 (0) 20 66 74 07 32  
Fax: ++91 (0) 20 66 52 03 40

### Indonesia

PT. Bumi Teknik Utama  
Ji. P. Jayakarta 141 Block II C 4-5  
RI-10730 Jakarta  
Phone: ++62 (21) 6 59 39 07  
Fax: ++62 (21) 6 49 07 59

### Japan

Binzel (Japan) Ltd.  
5-1, Oga 6-Chome, Habikino,  
J-Osaka (583-0876)  
Phone: ++81 (0) 7 29 52 13 45  
Fax: ++81 (0) 7 29 54 77 45

### Singapore

Core Metal Pte Ltd.  
Penjuru Road 51, Mezzanine Fl  
SIN-609 143 Singapore  
Phone: ++65 (6266) 33 12

### South Korea

Abicor Binzel Korea Ltd.  
Post Code 462-729  
#1213 Kranz techno  
Sangdaewon-dong, Jungwon-gu  
KOE-Sungnam City,  
Gyeonggido 5442-1  
Phone: ++82 (0) 31/777 8577  
Fax: ++82 (0) 31/777 8580

### South East Asia

Area Manager  
Mr. Wilson Lim  
Singapore  
wilson@binzel-abicor.com

### Thailand

S.M. Parts & Trading Co., Ltd  
415/12 Mahaputraram Rd.  
TH-10500 Bangkok  
Phone: ++66 (0) 38/608-640  
Fax: ++66 (0) 38/608-764

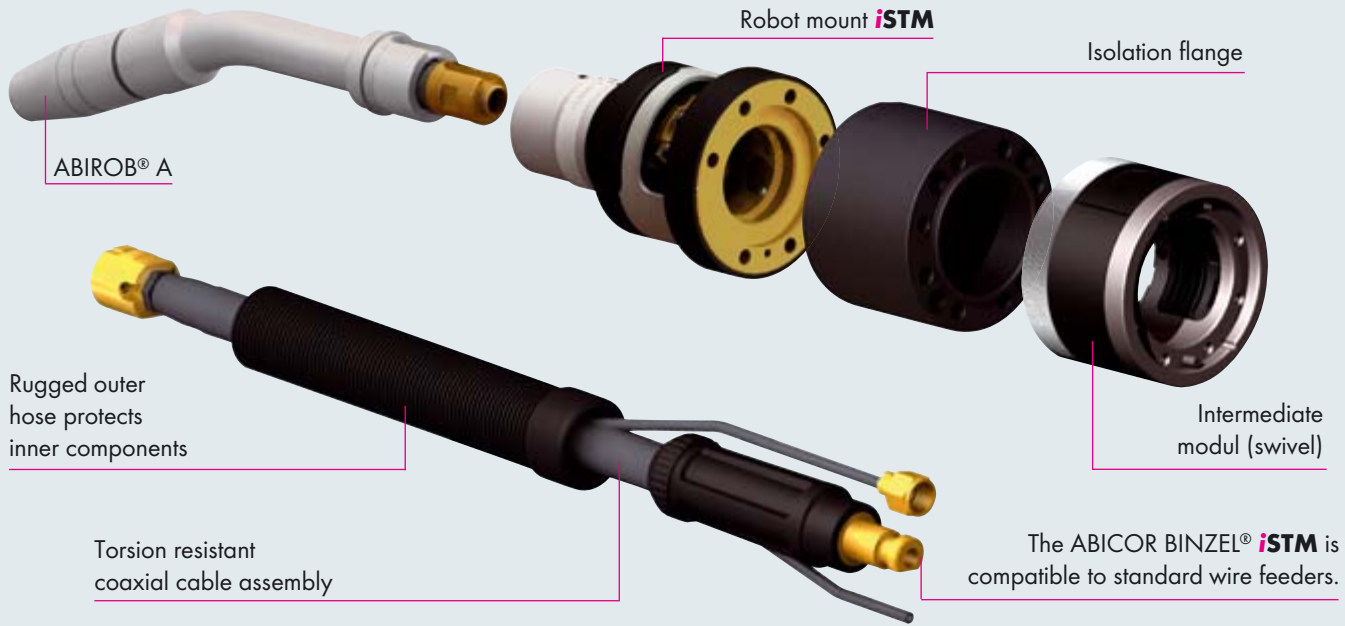
## Australia

### Australia

Binzel PTY Ltd.  
42 Hinkler Road, Mordialloc  
Victoria 3195, Australia  
Phone: ++61 (0) 3 95 80 65 00  
Fax: ++61 (0) 3 95 80 87 96

# Robot mount „iSTM“

The robot mount for the latest generation of welding robots!



ABICOR BINZEL®  
euro central connector



Panasonic®  
wire feeder



Lincoln®  
wire feeder



Fronius®  
wire feeder

## Technical data:

Type	Cooling	Rating at 100% DC		Wire (mm)	Weight (incl. torch neck)
		Mixed gas	CO <sub>2</sub>		
iSTM ABIROB® A500	air-cooled	370 A	420 A	0.8-1.6	approx. 1200 g
iSTM ABIROB® A360	air-cooled	290 A	360 A	0.8-1.4	approx. 1200 g
iSTM ABIROB® A300	air-cooled	250 A	300 A	0.8-1.4	approx. 1200 g
iSTM ABIROB® W500	liquid-cooled	400 A	450 A	0.8-1.6	approx. 1500 g
iSTM ABIROB® 350GC	air-cooled	300 A	350 A	0.8-1.2	approx. 1200 g



Alexander Binzel Schweisstechnik GmbH & Co. KG  
P.O. Box 10 01 53 · D-35331 Gießen  
Phone: ++49 (0) 64 08 / 59-0  
Fax: ++49 (0) 64 08 / 59-191

[www.binzel-abicor.com](http://www.binzel-abicor.com)